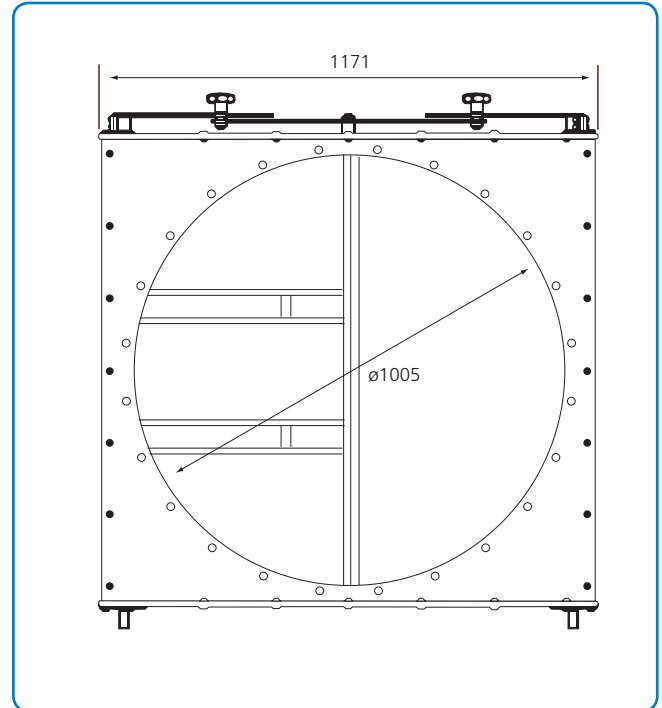
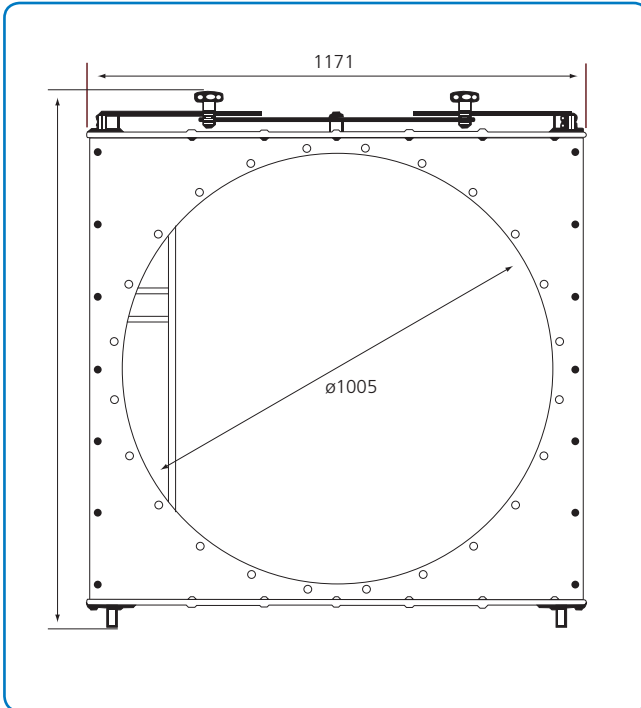


## Combination valve

Technical catalogue: Accessories  
 Section: 03  
 Revised: 01.01.2011



Dimensional specifications are given in the table.

Combination valve helps reduce extraction plant energy consumption. The valve is fitted after the filter clean air discharge. Return air from the filter can either be fed back to the production area or outdoors via the combination valve.

NB! Not all countries permit direct return of all extracted air to production areas.

The heavy duty design of the valve ensures stable operation even for the largest air flows. The valve flaps are specially-reinforced for precise and stable operation. The valves are fitted with 2 x 1000 mm diameter 45° bars and bird netting. A special type is available to cover a range from 30,000 to 60,000 m<sup>3</sup>/h.

ø1000 mm flange connector is standard. Transition sleeves or adapters are required for other pipe dimensions.

Dimensions	
Pipe dimension ø mm	Air volume m <sup>3</sup> /h
710	30,000
800	38,000
900	48,000
1000	55,000
1120	60,000
1250	65,000