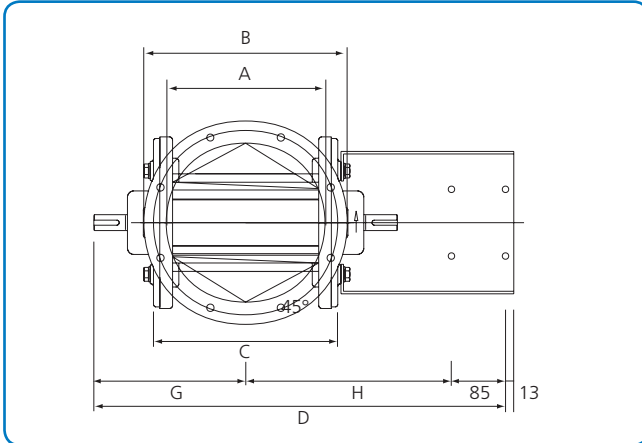
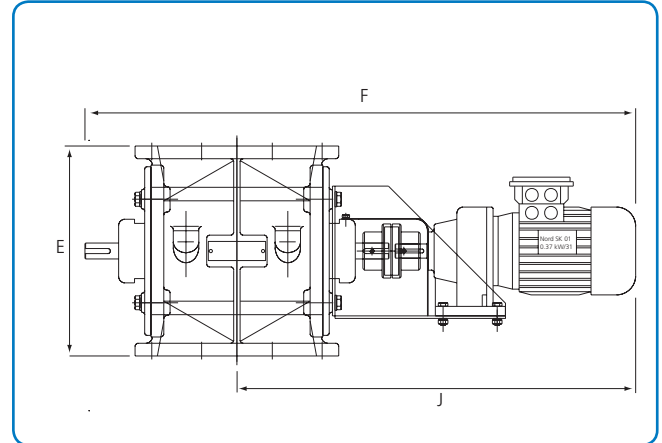


# Cast-iron rotary valve type JK-T

Technical catalogue: Accessories  
 Section: 03  
 Revised: 27.09.2013



Dimensional specifications are given in the table below.



Dimensional specifications are given in the table below.

Type JK-T cast-iron rotary valves are designed for material emptying under difficult physical conditions. The rotary valves remain sealed up to a pressure of 500 mmVS and can work in temperatures right up to 250°C if equipped with special bearings.

Housing and its end plates are cast-iron, whilst the robust rotor is steel. The rotor is also available in stainless steel.

The JK-T rotary valve is supplied as standard with nylon or vulkolan rotor blades depending on requirement.

Rotary valves are supplied painted as standard. They are also available with chrome plating on the internal surfaces of the housing and covers. This version is ideal for separation of abrasive materials.

Alternatively, the rotary valve range can be fitted with an 8 chamber rotor to achieve better integrity. In this version, they are sealed right up to 4000 mmVS.

JK-T rotary valves are available in a range of different configurations.

Dimensions										
Type	A mm	B mm	C mm	D mm	E mm	F mm	G mm	H mm	J mm	Weight kg
JK-T250	250	320	290	661	330	855	239	324	616	120
JK-T350	350	420	390	767	400	963	295	374	668	145

Dimensions					
Type	Motor	Motor output kW	Ampere consumption at 400 V	min <sup>-1</sup>	Capacity at 50% full m <sup>3</sup> /h
JK-T250	IP 55	0.37	0.94	32	8.75
JK-T350	IP 55	0.37	0.94	33	27.75