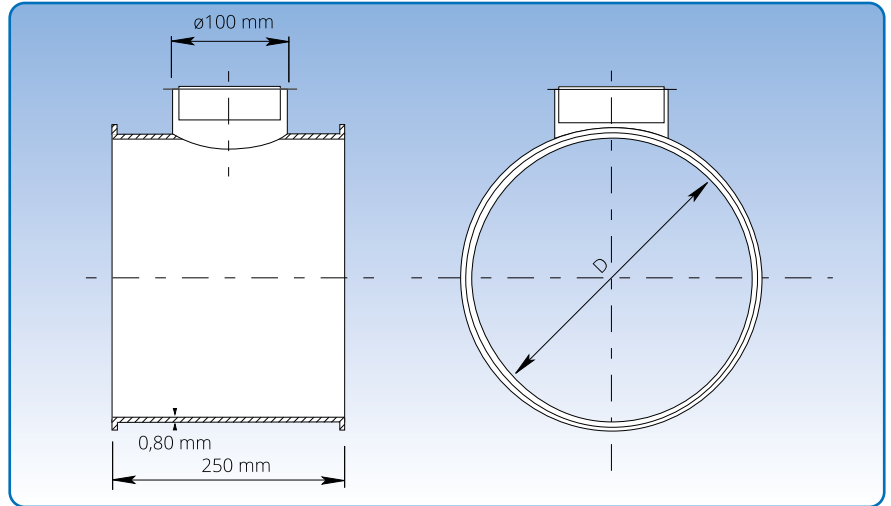


Ducts with cleaning spigot, stainless steel

Diameter: $\varnothing 100$ - $\varnothing 400$ mm.

PVC lid is easy to put on and take off. All cleaning spigots have a $\varnothing 100$ mm opening.



Dimensional specifications are given in the table below.

Item no.	Dimensions		Weight kg
	D mm		
4671115	100		0,90
4671116	120		1,14
4671118	140		1,33
4671119	150		1,43
4675116	175		1,66
4675117	200		1,90
4675118	224		2,14
4675119	250		2,38
4675120	300		2,52
4680116	350		3,09
4680117	400		4,28

The item numbers stated are for ducts with cleaning spigot assembled using pull rings [f.b].

Ducts with cleaning spigot are also available for other assembly methods. See p. 5 for assembly methods.