

JETLINE® K

DUST COLLECTOR FOR FINE DUST

Protecting people and their environment against the dispersion of fine and dangerous particles.



- **The JETLINE® K** is a dust collector with automatic compressed air cleaning. It operates constantly, providing maximum filtration, particularly in the case of fine dust.
- **Type of dust treated:** food (chocolate, flour, milk powder), metal, polymer powder, polyurethane brass, zirconium silicate, aluminum oxide, fiberglass, plaster, carbon, plastic, wood, silica, polyethylene, concrete, composite, pigment and many others.

TRIOPTICLEAN® system



1 A simple, clean system for removing cartridges in a plastic bag



2 A downward flow between the cartridges facilitates settling of dust in the hopper



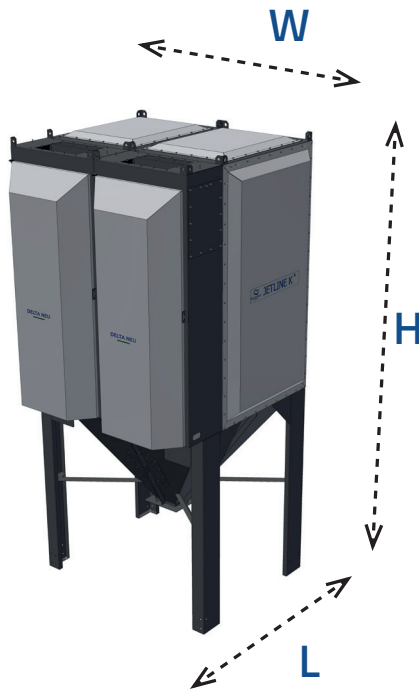
3 Optimal cleaning to eliminate all dust accumulation on top surface

APPLICATIONS

- Filtration of aluminum dust during finishing operations
- Filtration of steel dust
- Dust removal on laboratory work stations

- Collection of dust released by tools
- Dust extraction on sorting station
- Dedusting from laser cutting, plasma or welding processes.





RANGE

A standard range of filter areas from 80 to 480 m² provides solutions for numerous applications.

| Model | Area m ² | L (mm) | W (mm) | H (mm) | Weight (kg) |
|-------|---------------------|--------|--------|--------|-------------|
| 80 | 80 | 2 060 | 1 170 | 3 020 | 730 |
| 120 | 120 | 2 060 | 1 170 | 3 520 | 800 |
| 160 | 160 | 2 060 | 1 170 | 4 020 | 1 050 |
| 240 | 240 | 2 060 | 2 170 | 3 520 | 1 440 |
| 320 | 320 | 2 060 | 2 170 | 4 020 | 1 820 |
| 360 | 360 | 2 060 | 3 170 | 3 520 | 2 250 |
| 480 | 480 | 2 060 | 3 170 | 4 020 | 2 650 |

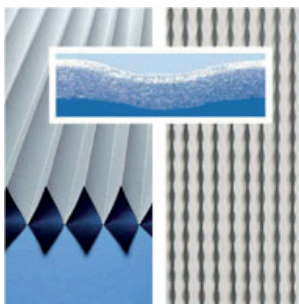
OPERATING PRINCIPLE

- + Round horizontally-mounted cartridges ensure optimum filter efficiency
- + The clean air is then directed out of the dust collector
- + Cleaning is by a very short burst of compressed air inside the filter cartridge
- + This cleaning system ensures there is a stable pressure drop across the filter elements, with optimum consumption of compressed air

CHARACTERISTICS

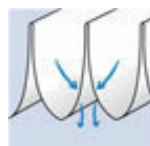
- + Choice of media to withstand temperatures up to 80° C
- + Reduced pressure drop
- + Pre-assembled and wired in our factory
- + Choice of clean air outlet positions: top or side
- + Modular construction for unlimited range of sizes
- + Optional "Bag-in / Bag-out" arrangement for toxic or hazardous applications
- + Easy access for clean cartridge replacement – no special tools required
- + ATEX version with venting on top

Filter medium efficiency of more than 99.9 % on dust between 0.2 and 2 µm in accordance with EN 60 335-2-69 standard.

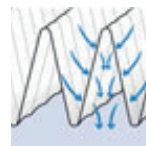


EFFICIENCY

The NEU cartridge is manufactured from non-woven polyester with a mattress of heat-fused fibres across the whole surface. The perfectly even structure guarantees optimal filtration.



Standard filter media



Filter media with wave form

EASY MAINTENANCE

No tools are required to remove the cartridges. The cartridge removal holder is supplied with the dust collector. As an option, we can supply our "Bag-in/Bag-out" system.

SAFETY

The JETLINE® K can be fitted with devices to reduce the risk of explosion: antistatic filter cartridges, earthing of metal parts to reduce the effects of electrostatic charge, explosion venting on the top.