

DUST COLLECTOR SDCH-L

Dust collector SDCH-L is a compressed air cleaned hose filter for continuous filtration of fine dust.

Description

Dust collector SDCH-L is a compressed air cleaned hose filter for continuous filtration of fine dust. The collector is supposed to be used for under pressure, i.e. the fan is installed after the collector. The circular gas inlet and outlet, can be swiveled to an optional position as the filter consists of several reciprocally adjustable parts.

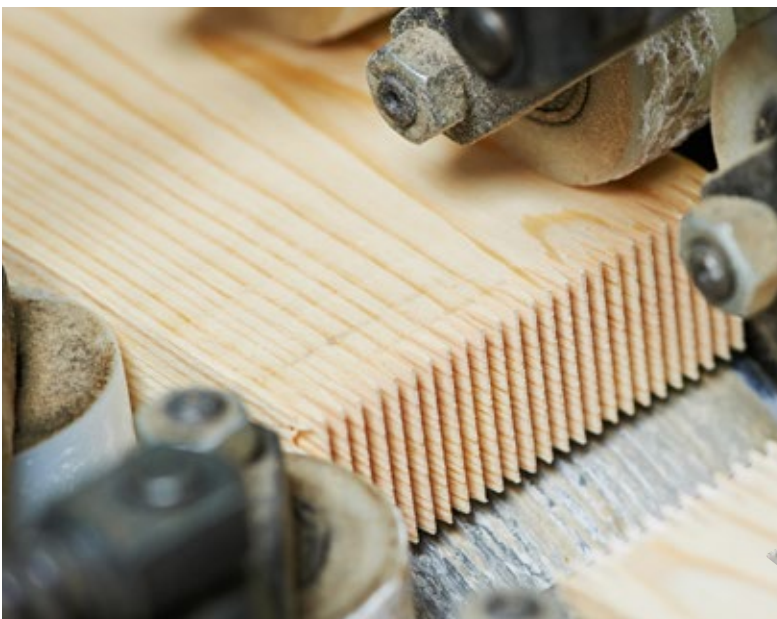
The separator is designed as an under pressure filter and can be located indoors or outdoors, if it is placed with protection from the weather.

Filter cleaning

The dust laden air is filtered through a filter hose, where the dust sticks to the outside. The filter hoses are cleaned with short bursts of compressed air. Cleaning of the hoses is done through a separate steering central or by cleaning automatics e.g. MT (extra equipment). For the most effective cleaning, the hoses should also be cleaned when the fan is turned off.

Dust container

The dust is collected in a dust container, equipped with a plastic bag. The amount of dust should regularly be controlled and the plastic bag replaced if needed. The container can also, as an optional device, be equipped with a level sensor with an alarm protection against overfilling.

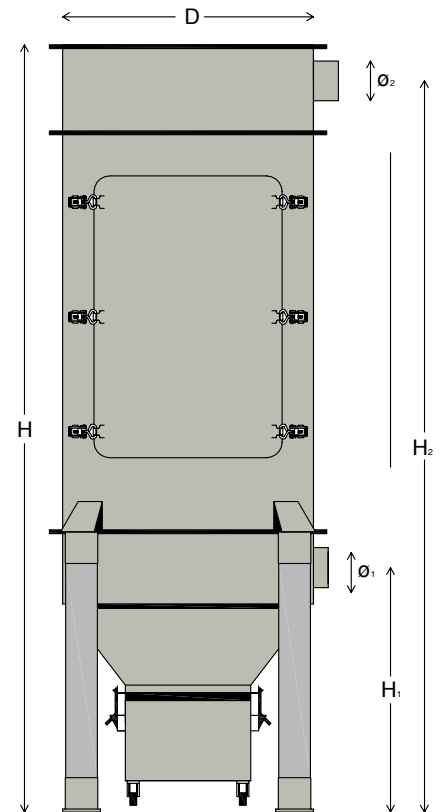


Dimensions

	SDCH-3-L	SDCH-5-L	SDCH-7-L	SDCH-9-L	SDCH-12-L
D (mm)	630	800	800	1100	1100
H (mm)	2500	2500	3000	2500	3000
H1 (mm)	937	937	937	937	937
H2 (mm)	2317	2317	2817	2317	2817
Ø1 inl. (mm)	127	200	200	250	250
Ø2 utl. (mm)	127	200	200	250	250
A (mm)	665	715	715	730	730
B (mm)	470	715	715	730	730
C (mm)	120	120	120	120	120

Technical data

Model	SDCH-3-L	SDCH-5-L	SDCH-7-L	SDCH-9-L	SDCH-12-L
Filter (m ²)	3	5	7	9	12
No. of hoses	6	10	10	18	18
No. of valves	2	2	2	4	4
Container (L)	90	90	90	90	90
Weight (kg)	110	160	180	185	205



Compressed air requirement:

max 2 l/s, 4,5 bar, free of oil and water. Maximum gas temperature: +60° C.

The following service spaces need to be considered: minimum 800 mm in front of the filter and 500 mm above the filter.

