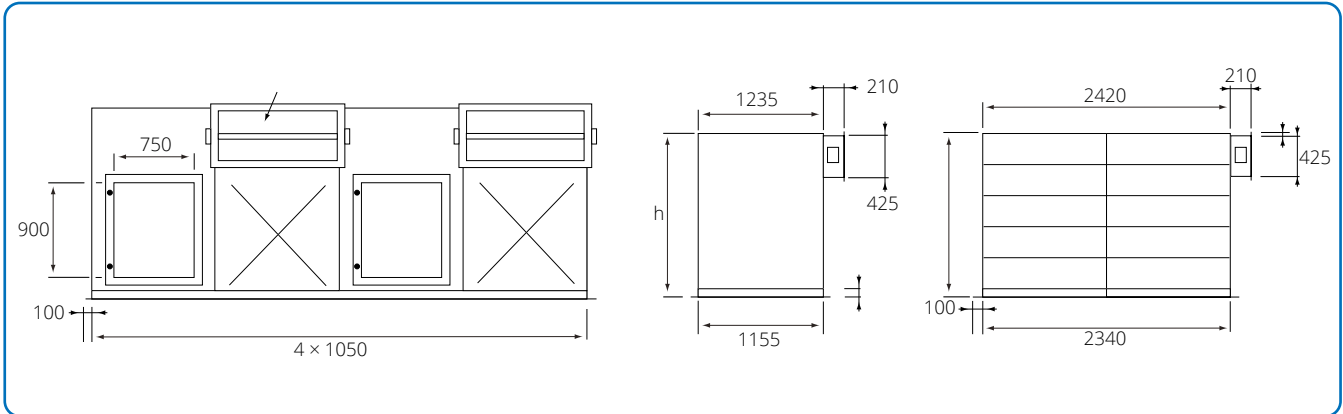
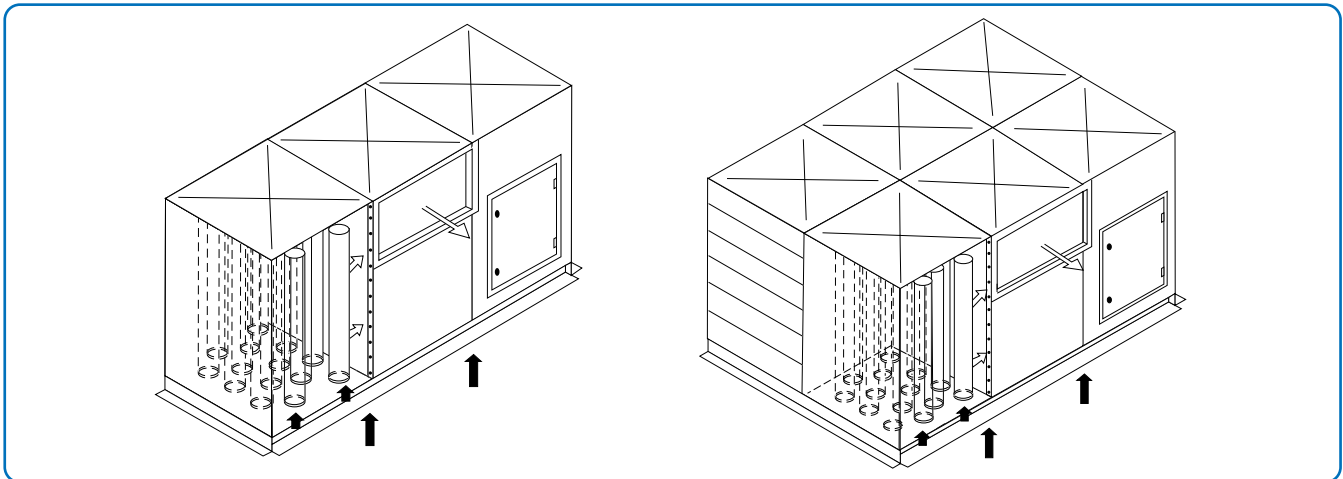


Silo filter type PL-PLD



The drawing above shows single and double filters. Measurement specifications are stated in the table at the bottom of the page.



Silo filter type PL and double silo filter type PLD.

Silo filter type PL and PLD is a bag filter. The filter is used on a flat silo top so that the contaminated air flows directly against the underside of the bag bottom and up through the bags for separation.

Type	Dimensions			
	h mm	Bag length mm	Filter area m ² per module	Weight per module kg
M - PL	1750	1580	15.5	125
H - PL	2200	2030	20.0	140
E - PL	2650	2480	24.5	155
M - PLD	1750	1580	31.0	215
H - PLD	2200	2030	40.0	240
E - PLD	2650	2480	49.0	265