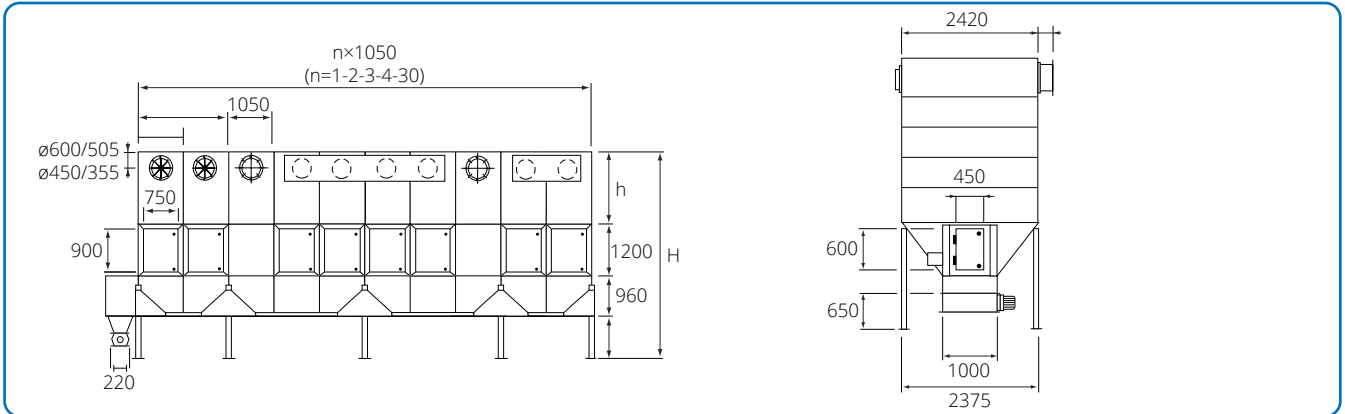
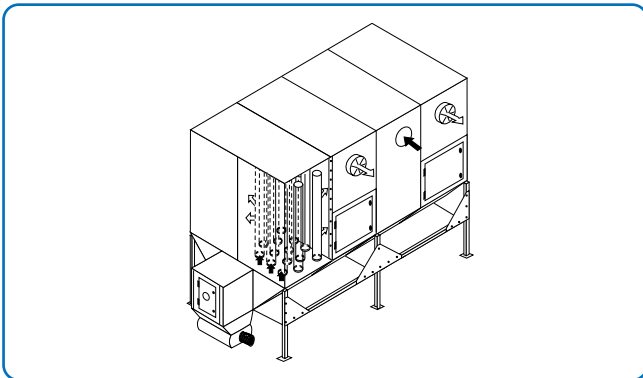


Chain filter type CDF



The drawing above shows a double filter. Measurement specifications are stated in the table at the bottom of the page.



Chain filter type CDF.

The CDF chain filter can be used for heavy-duty applications involving large volumes of materials and air.

Air is fed in to one or several separate supply air modules – always min. 2-3 modules away from the material discharge.

The filter can be emptied using a conveyor mounted on a chain which transports the material from the bottom of the filter towards the discharge, placed at one end of the filter.

Connection

Chain

Gear motor

0.75 kW, 175 min⁻¹, 3 x 400 V, 50 Hz, 2.2 A

Supplied as standard with 1 x regeneration fan ø450 mm per module or ø600 mm for EX.

Optional extras

Safety control system for emptying material discharge and rotary valve, equipped with impulse sensors to stop discharge in the event of fault or overload.

Dimensions						
Type	H mm	h mm	Bag length mm	Filter area m ² per module	Weight per module kg	
HCDF	4510	1200	1990	40	325	
ECDF	4960	1650	2440	49	345	
EXCDF	5410	2100	2850	58	365	