

Fan types JK-20D - JK-40D

The direct drive centrifugal fan types JK-20D - JK-40D are designed for material handling.

Equipped with self-cleaning impellers with backward-inclined blades and aerodynamic intake. The impellers are statically and dynamically balanced.

Max. internal operating temperature: 60°C

Number of blades are reduced by 2 for paper impeller.

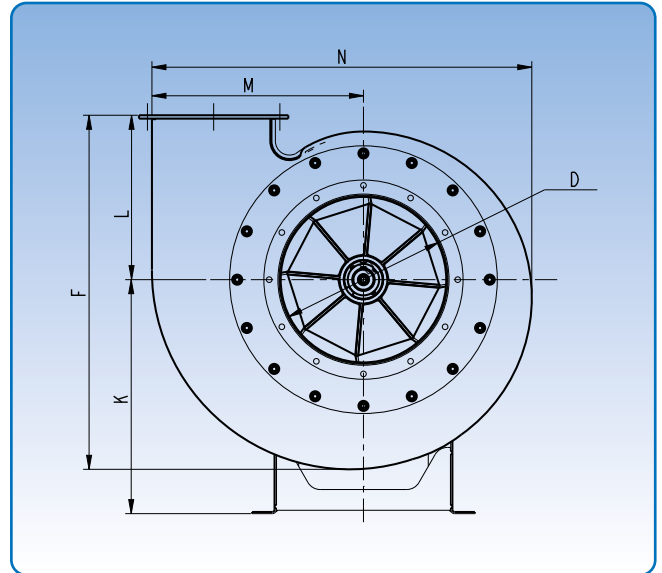
Available in stainless steel inlet and explosion-proof (Ex) motor.

The inlet (D) is supplied with flange as standard.

If the fan is mounted in an acoustic booth, it is supplied with smooth inlet.

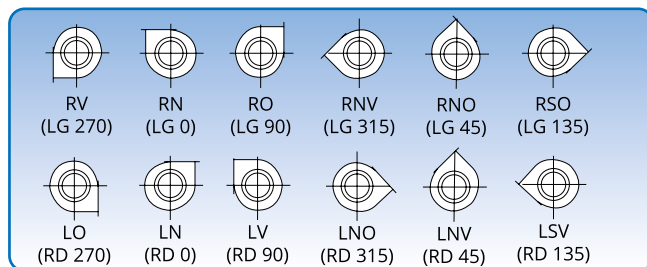
Specific dimensions for the outlet flanges can be found under "Flanges".

The technical data for each type appears on the following pages.

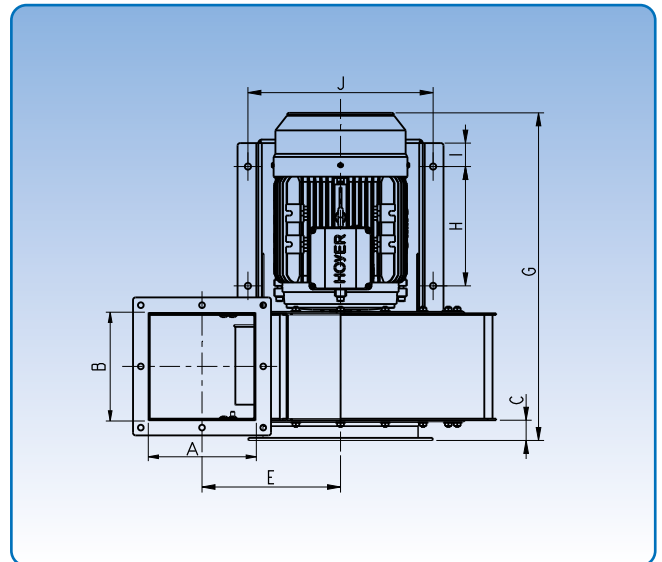


Steel plate dimensions in mm

Type	JK-20D - JK-30D	JK-35D - JK-40D
Impeller - standard	4	5
Impeller - reinforced	8	8
Fan housing - standard	3	3
Fan housing - reinforced	6	8



6 positions. The position illustrations are viewed from the inlet side.



Type	Dimensions														Weight without motor kg
	A mm	B mm	C mm	D mm	E mm	F mm	G mm	H mm	I mm	J mm	K mm	L mm	M mm	N mm	
JK-20D	140	140	33	200	207	448	400	141	40	317	325	198	284	500	27
JK-22D	166	166	29	225	220	500	475	192	40	326	340	224	310	552	34
JK-25D	186	186	30	250	248	582	530	210	50	356	384	273	339	618	45
JK-30D	206	206	36	300	267	631	577	230	50	356	415	293	368	676	50
JK-35D	225	225	45	350	320	670	735	360	50	390	515	293	429	770	73
JK-40D	251	251	55	400	330	740	795	400	50	488	500	326	453	824	88