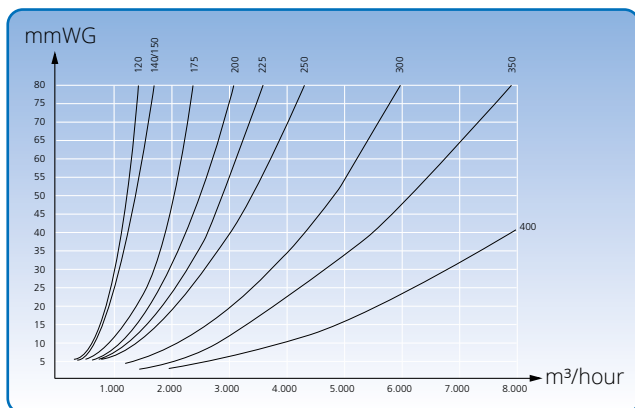


Jet caps, stainless steel

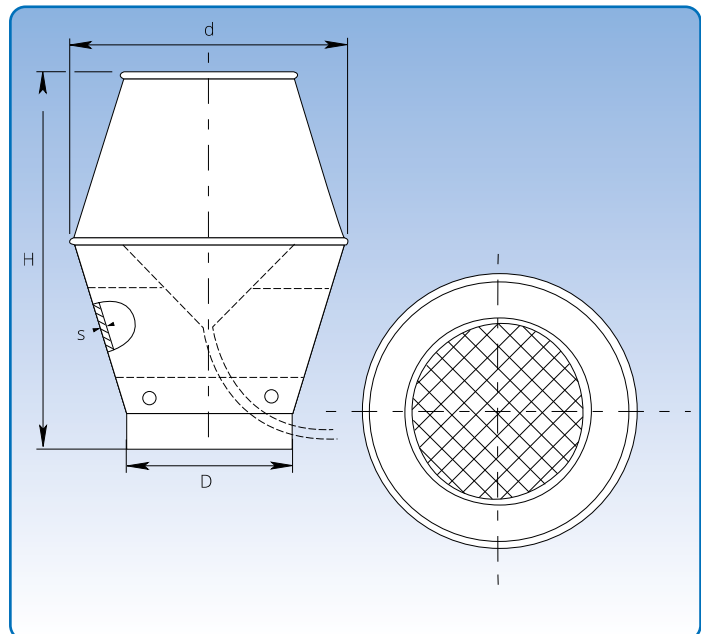
Diameter: $\varnothing 120 - \varnothing 400$ mm.

Jet caps are supplied with the same assembly methods as duct systems.

They are fitted with an internal cone and drain hose for disposal of water.



Pressure loss curves for diameter $\varnothing 120 - \varnothing 400$ mm.



Dimensional specifications are given in the table below.

Item no.	Dimensions			Weight kg
	D mm	d mm	H mm	
1940120	120	185	325	3,00
1940130	125	195	340	3,50
1940140	140	215	365	3,80
1940150	150	230	390	4,00
1940160	160	245	410	5,00
1940180	175	275	445	5,40
1940190	180	305	490	4,00
1940200	200	345	535	4,80
1940220	225	380	590	5,70
1940250	250	420	640	9,00
1940300	300	460	690	8,00
1940315	315	480	720	8,70
1940350	350	535	785	10,70
1940400	400	610	885	13,50
1940450	450	690	985	16,70
1940500	500	765	1095	21,00
1940550	550	840	1200	28,00
1940600	600	915	1300	36,00
1940630	630	960	1360	40,00
1940650	650	990	1390	42,00
1940700	700	1070	1505	49,00
1940750	750	1145	1595	56,00
1940800	800	1220	1695	68,00
1940850	850	1295	1795	80,00
1940900	900	1375	1900	100,00
1940950	950	1450	1975	105,60
1941000	1000	1525	2000	150,00

The item numbers stated are for jet caps assembled using pull rings [f.b].

Jet caps are also available for other assembly methods. See p. 5 for assembly methods.