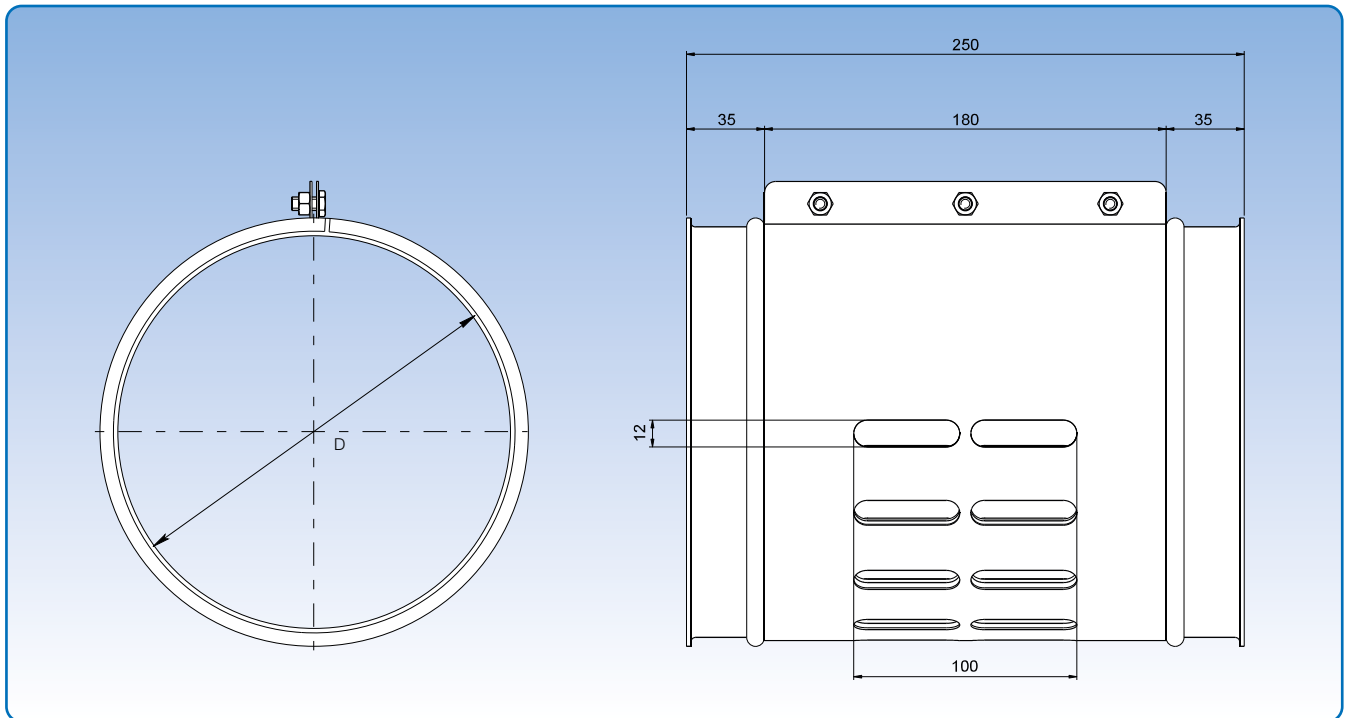


## False air valves, galvanised



Diameter:  $\varnothing 80 - \varnothing 400$  mm.

Made of 0.90 mm sheet metal.

"False" air is regulated by turning the external button.

| Item no.   | Dimensions |  | Weight<br>kg |
|------------|------------|--|--------------|
|            | D<br>mm    |  |              |
| 90500001   | 80         |  | 0,95         |
| 90500002   | 100        |  | 1,60         |
| 90500003   | 120        |  | 0,90         |
| 9050000301 | 125        |  | 0,95         |
| 905000031  | 140        |  | 1,65         |
| 905000032  | 150        |  | 1,25         |
| 905000033  | 160        |  | 1,95         |
| 905000034  | 180        |  | 2,20         |
| 905000035  | 200        |  | 2,45         |
| 905000036  | 225        |  | 2,80         |
| 905000037  | 250        |  | 3,15         |
| 905000038  | 275        |  | 3,50         |
| 905000039  | 300        |  | 3,85         |
| 9050000391 | 315        |  | 4,30         |
| 9050000392 | 350        |  | 4,78         |
| 9050000393 | 400        |  | 5,60         |

The item numbers stated are for false air valves assembled using pull rings [f.b].

False air valves are also available for other assembly methods. See p. 6 for assembly methods.